

Model: JSMA-PIH55AWKB

No.	Item	Symbol	Unit	Specification	No.	Item	Symbol	Unit	Specification
1	Drive	-	-	3 $\phi$ 220 VAC	13	Rotor Inertia	Jm	kg-cm <sup>2</sup>	80.31 $\pm$ 10%
2	Cooling Method	-	-	Totally Enclosed	14	Rated Power Rate	Q-R	Kw/s	158.15
3	Exciting Method	-	-	Permanent Magnet	15	Resistance	Ra	$\Omega$	0.129 $\pm$ 10%/2 $\phi$
4	Resolution	-	-	23 bit ABS	16	Inductance	L	mH	3.2 $\pm$ 10%/2 $\phi$
5	Rated Output	P-R	W	5500	17	Mech. Time Constant	Tm	ms	1.0 $\pm$ 10%
6	Rated Torque	T-R	N-m	35.1	18	Elect. Time Constant	Te	ms	24.81 $\pm$ 10%
7	Max. Torque	T-max	N-m	87.75	19	Insulation Class	-	-	Class F
8	Rated Speed	N-R	rpm	1500	20	Operation Temp.	T	$^{\circ}$ C	0~40
9	Rated Current	I-R	A	29.5	21	Operation Humd.	RH	%	<80
10	Max. Current	I-max	A	73.8	22	Storage Temp.	T	$^{\circ}$ C	-20~60
11	Torque Constant	Kt	N-m/A	1.19 $\pm$ 10%	23	Storage Humd.	RH	%	<80
12	Voltage Constant	Ke	V/krpm	79 $\pm$ 10%	24	Weight	W	kgw	31

NOTE:  
Motor to be IP67.  
(excluding the shaft opening & connectors)



Name Plate for Notice

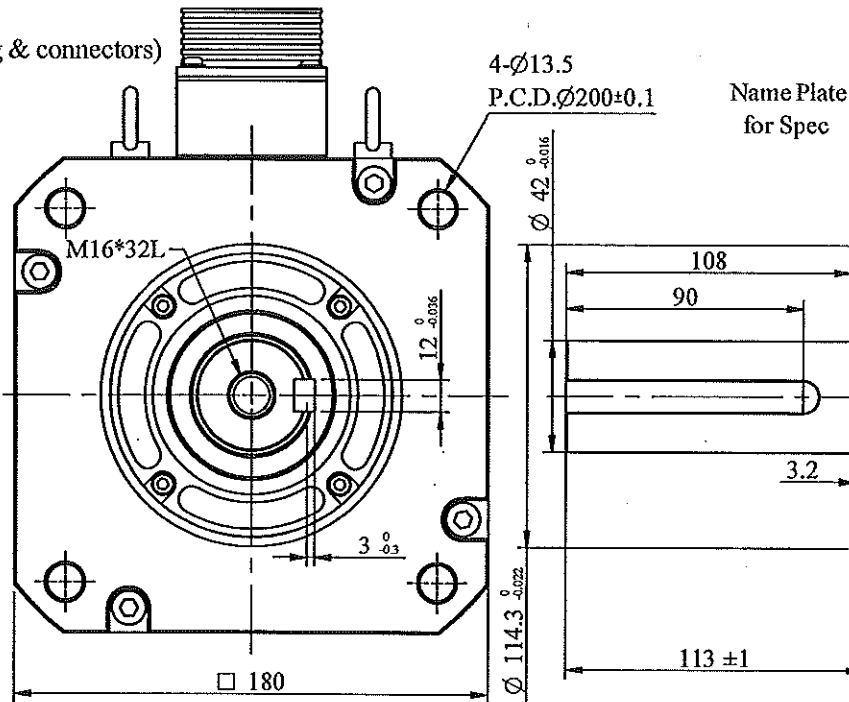
**AC SERVO MOTOR**

Model: JSMA-PIH55AWKB  
Pr: 5.5 KW ; Nr: 1500 rpm  
Ir: 29.5 A , Tr: 35.1 N-m

NO. \_\_\_\_\_

**TECO ELECTRIC & MACHINERY CO., LTD.**  
MADE IN TAIWAN

Name Plate for Spec



Pin	Signal
A	U
B	V
C	W
D	FG

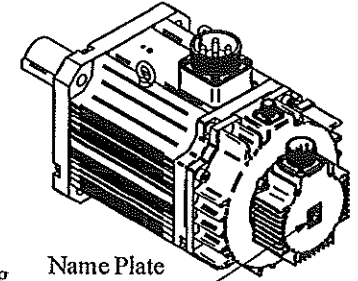
Motor Wiring

Pin	Mark
A	0
B	24V
C	

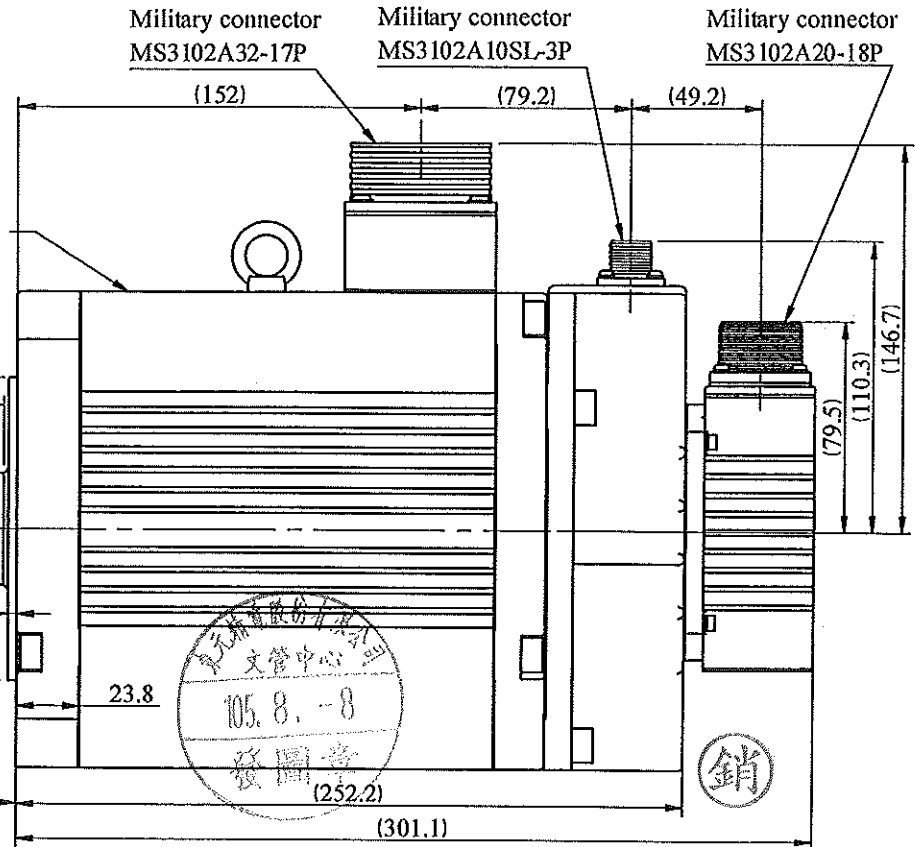
Brake Wiring

PIN	Signal
B	+5V
I	0V
A	VB+
C	VB-
H	SD+
D	SD-
G	
E	
F	FG

Encoder Wiring



Name Plate for Notice



STANDARD TOLERANCE				APVD	SCALE	UNIT	NAME
X	$\pm$ 0.5			Michelle	3RD .A.P	m m	Servo Motor Outline Drawing
X	$\pm$ 0.2			Leon			JSMA-PIH55AWKB
XX	$\pm$ 0.05			06-22-'16			
ANGLE	$\pm$ 30'						
MATERIAL	REV	DESCRIPTION	SIGNATURE	DATE	SIGNATURE	DATE	DWG.NO.
							D01B18552H3BRAD01



Dept Design DWG.NO. D01B18552H3BRAD01